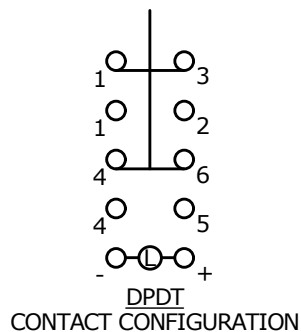
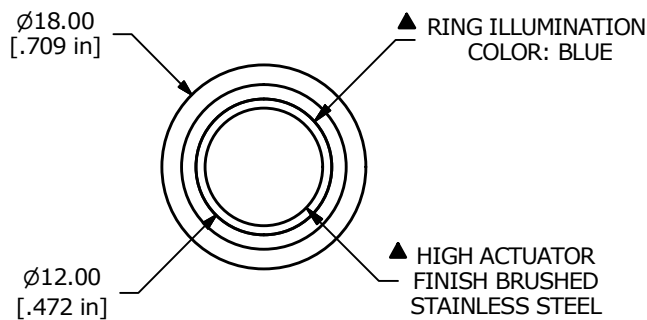


PANEL CUTOUT  
MAX. PANEL THICKNESS  
14.0mm [.551]

SWITCH FUNCTION	
POS. 1	POS. 2
ON	(ON)
1-3, 4-6	1-2, 4-5

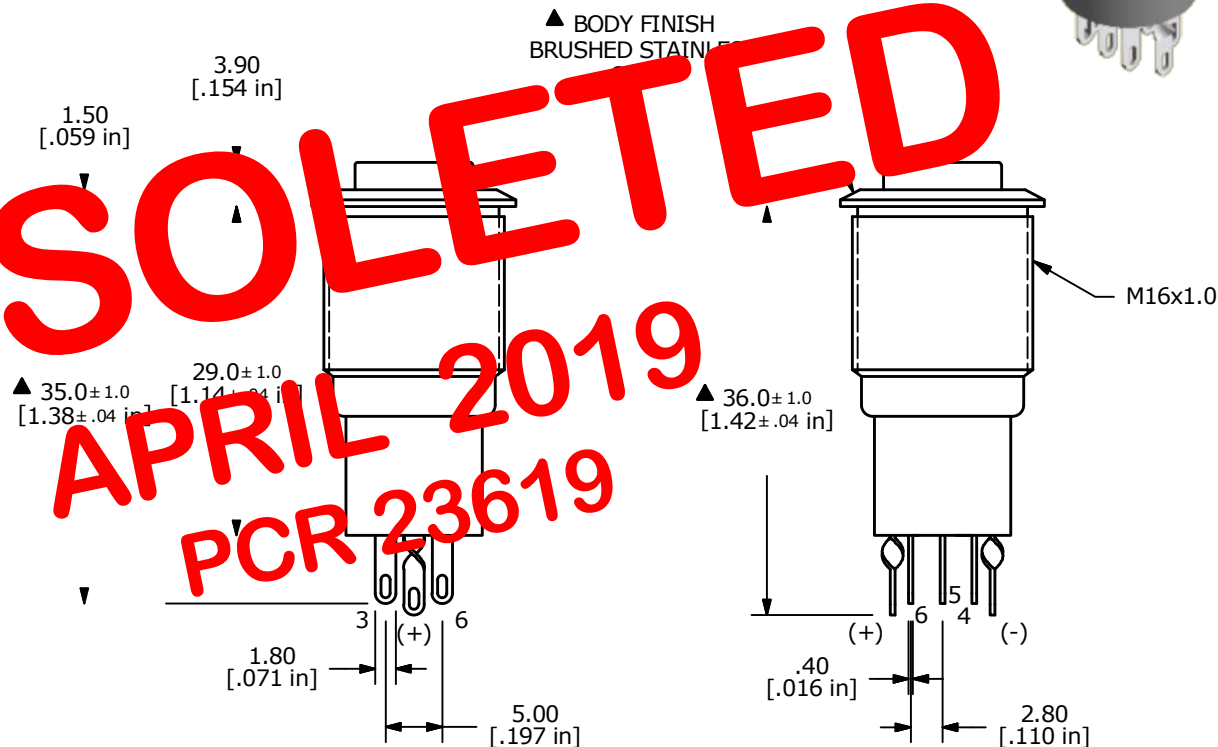
(ON) = MOMENTARY



OBSOLETE

APRIL 2019

PCR 23619



- NOTE:
- ALL DIMENSIONS IN MM [INCH]
  - GENERAL TOLERANCE: X.X±0.4  
X.XX±0.25
  - TERMINAL NUMBERS FOR REF ONLY
  - CONTACT MATERIAL: SILVER
  - RATING: 2A 48VDC
  - ELECTRIC LIFE: 50,000 MAKE-AND-BREAK CYCLES AT FULL LOAD.
  - INSULATION RESISTANCE: 1,000 MΩ MIN.
  - DIELECTRIC STRENGTH: 2,000 VAC MIN. FOR 1 MINUTE
  - CONTACT RESISTANCE: 50mΩ MAX. @ 1A 12VDC
  - OPERATING TEMP.: -20°C to 55°C
  - ▲ DENOTES CRITICAL PARAMETER.
  - LAMP VOLTAGE: 20mA, 24V
  - ▲ ILLUMINATION COLOR: BLUE
  - HARDWARE SUPPLIED: O-RING AND HEXNUT
  - INGRESS RATING: IP65
  - 2011/65/EU (ROHS) COMPLIANT



C	23366	UPDATED RATING TO 2A 48VDC	5/14/18	MJR
B	22889	UPDATED RATING TO 1A 24VDC	6/28/17	MJR
REV	PCR NO	DESCRIPTION	DATE	BY

TITLE PV3WH2H0BB-345				
SCALE 3:2	DATE 6/19/2012	DR rc	DWG 52-PV3WH2H0BB345	REV C

THE INFORMATION CONTAINED IN THIS DOCUMENT IS PROPRIETARY TO E-SWITCH AND IS NOT TO BE COPIED OR TRANSFERRED